

Wastewater Pumps

DanPumps S-WP1 - 50 Hz

Product Applications

The DanPumps S-WP1 pump is designed for wastewater applications especially for water with a high content of solids or fibrous media.

Design

Rugged construction and proven reliability.

Materials

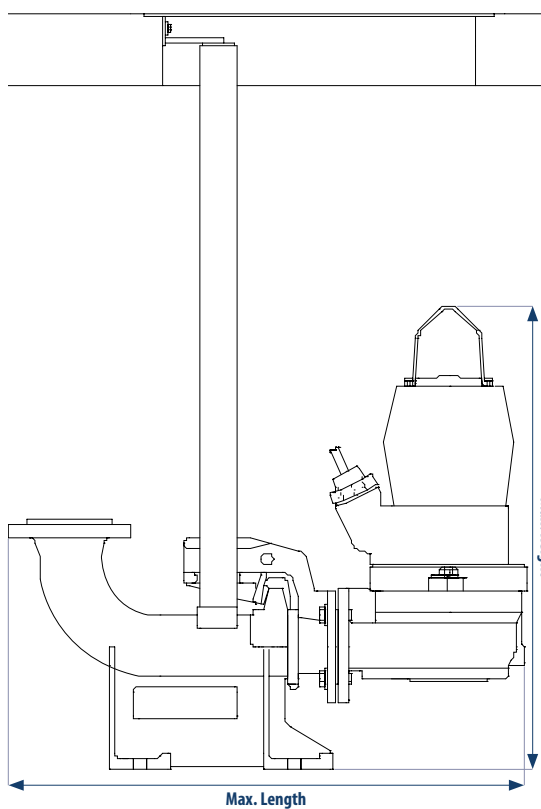
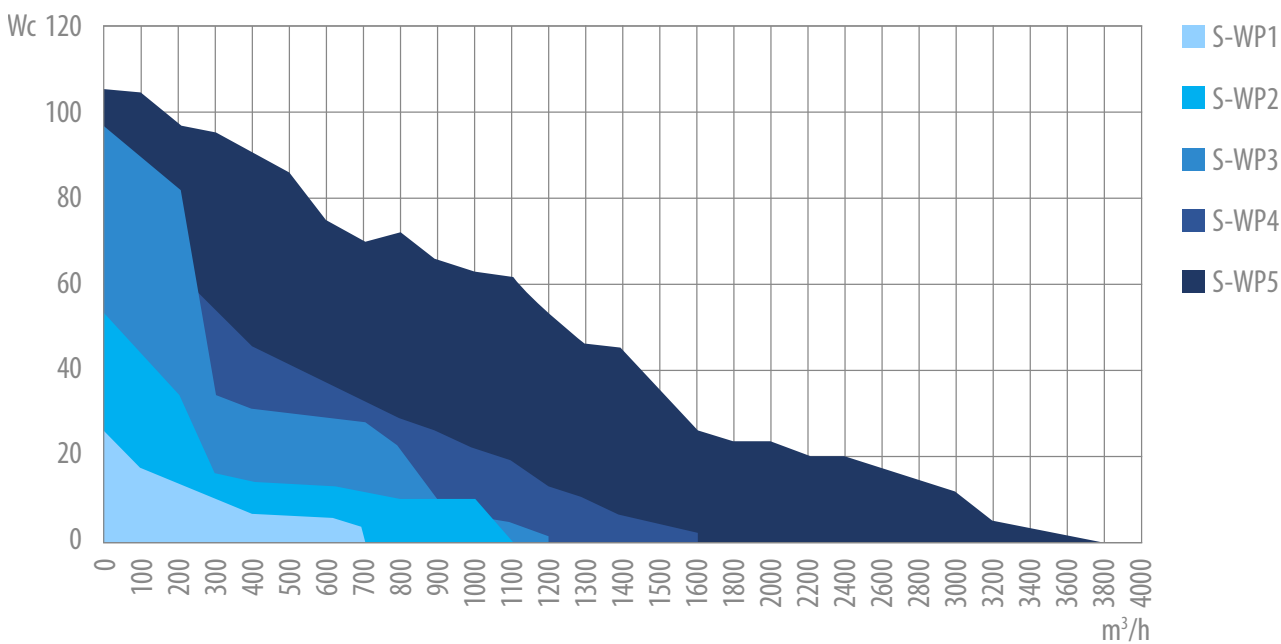
Pump Housing, base elbow, cartridge seal	Grey cast iron	GJL-250 (GG25)	A-48 Class35
Impeller (cast iron) adapter	Ductile cast iron	GJS-400-15 (GGG-40)	A536 GR 65-45
Option: Stainless steel impeller	Stainless cast steel	W.Nr.1.4401	AISI 316
Shaft	Stainless steel	W.Nr.1.4057	AISI 431
Seal sleeve, screws	Stainless steel	W.Nr.1.4301	AISI 304
Coolant	30% Propylene glycol	70% water	
O-rings	Nitrile	NBR	
Oil	Mobil DTE 24	Premium Hydraulic	
Mechanical seal	Media side: SIC/SIC	Cooling side: SIC/Carbon	
Motor	Siemens	IE3	Class F

Operation standards:

- Connections up to DN80
- Flow Rate up to 150 m³/h
- Overheating and moisture protection
- Channel, vortex and B-tween impellers in the same volute
- Double mechanical cartridge seal
- High-efficient motors
- Long lifetime due to accurate balancing
- Customized solutions and a modular system
- All DanPumps S-WP pumps can be fitted with a closed cooling jacket
- Easy maintenance
- Adjustable wear ring

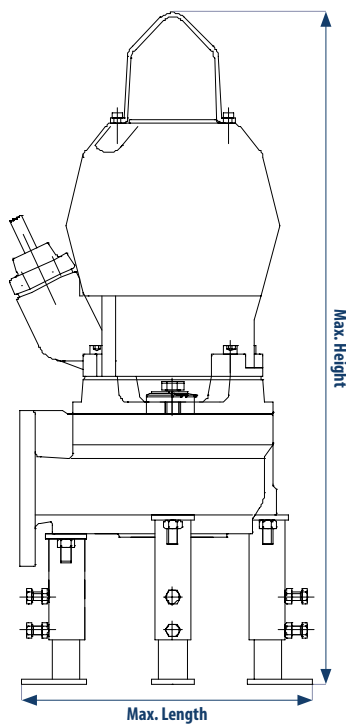


Performance Curves - Complete DanPumps S-WP1 to DanPumps S-WP5 Range - 50 Hz

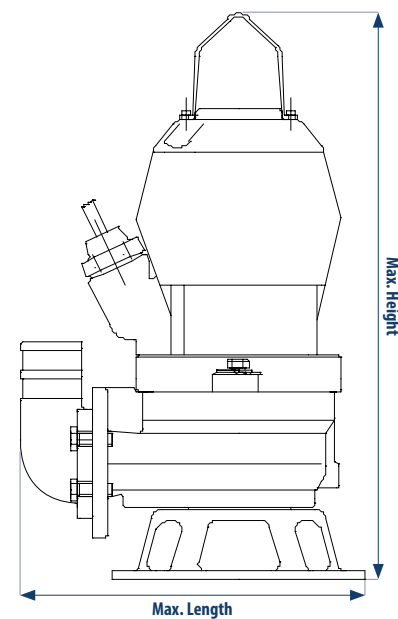


DanPumps S-WP1 - Wet Pit Installation

Please note cooling jacket is an optional choice.



DanPumps S-WP1 - Dry Pit Installation



DanPumps S-WP1 - Portable Installation

Type	kW P2	Rpm	Inlet in mm	Outlet flang
S-WP1-70-2	3.5	2890	70	DN80
S-WP1-80-4	2.5	1420	80	DN100

Type	Installation	Max. Height	Max. Width	Max. Length
S-WP1-70	Wet Pit	755 mm	284 mm	842 mm
	Dry Pit	944 mm	328 mm	344 mm
	Portable	697 mm	328 mm	423 mm
S-WP1-80	Wet Pit	725 mm	307 mm	870 mm
	Dry Pit	974 mm	315 mm	441 mm
	Portable	714 mm	315 mm	530 mm

02.2022