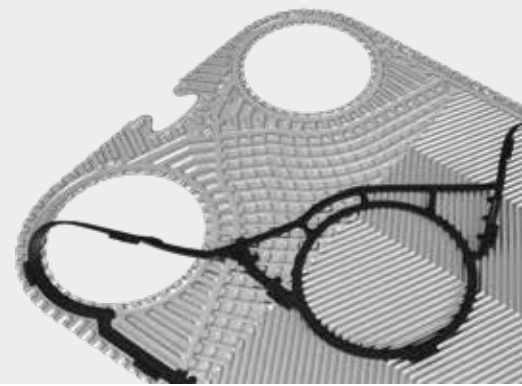
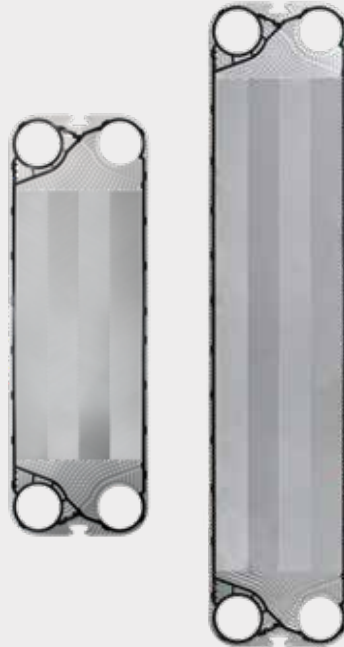


Plate Heat Exchanger AF150 Series

AF152, AF154 & AF156



SonFlow offers a wide range of AHRI-certified® products, including the AF150 series. The series is certified in the category of "AHRI Liquid to Liquid Heat Exchangers," which confirms the thermal performance according to the specified specifications. With the AF150 series, SonFlow offers a reliable and efficient single-pass solution that is suitable for many different applications. This is a cost-effective solution that ensures optimal heat transfer and minimal maintenance.

Typical applications:

- HVAC-R
- Geothermal
- Marine
- Food and beverage
- General industry
- Chemical industri
- Mining
- Data centres

- Design pressure up to 25 bar
- Operating temperature up to 180 °C
- Leak chamber
- Fixed bolt head
- Lifting lug
- Lining
- Lock washer

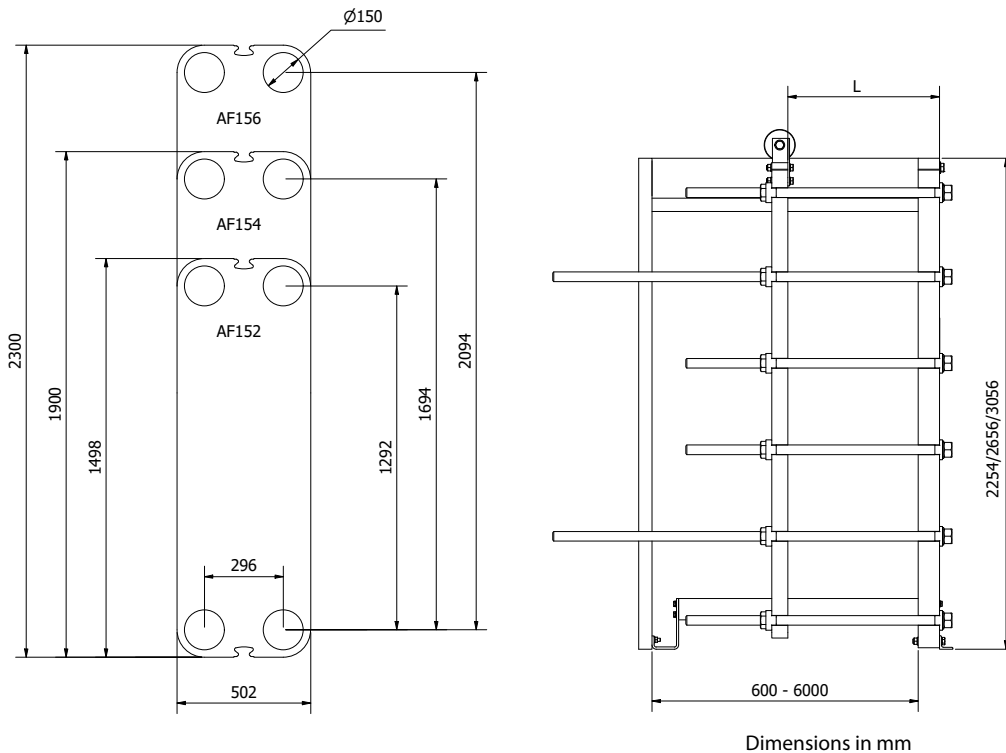
Features:

Every detail is carefully designed to ensure optimal performance, reduced maintenance costs and decreased downtime:

- Compact design
- High flexibility
- Gentle product handling

Benefits:

- Lower operating costs
- Cost-effective
- Easy assembly
- Increased energy efficiency
- Easy cleaning
- Dead spots, that cause corrosion and fouling are eliminated



Design pressure:

- Painted frames: 1.0/1.6/2.5 MPa (145/232/362 PSI)
- Stainless steel frame 1.0/1.6 MPa (145/232 PSI)

Construction standards:

- EN13445
- ASME sec VIII, Div. 1

Frame:

- Painted frame, RAL 5010 (available in other colours)
- Stainless steel frame

Connections:

- DN 150/6" flange in carbon steel, rubber lined or clad with AISI 316 or titanium
- DN 100/4", 125/5", 150/6" dairy pipes or unions
- According to all known standards

Plate material:

- AISI 304/316 and titanium
- Other materials available on request

Gaskets:

- Choose between Hang-on or glued gaskets
- Materials: NBR, EPDM and Viton
- Other materials available on request

Accessories:

- Drip tray
- Insulation jacket
- Safety cover
- Assembling spanner
- Foundation feet



AHRI Certified® is the trusted mark of performance for heating, air conditioning, water heating, and commercial refrigeration equipment. To find AHRI Certified products, go to www.ahridirectory.org.

Certificerede products in the AF150 Series

Model number	AHRI Certified Reference Number
AF152PL10	207615011
AF152PL16	207615012
AF152PL25	207615013
AF154PL10	207615014
AF154PL16	207615015
AF154PL25	207615016
AF156PL10	207615017
AF156PL16	207615018
AF156PL25	207615019