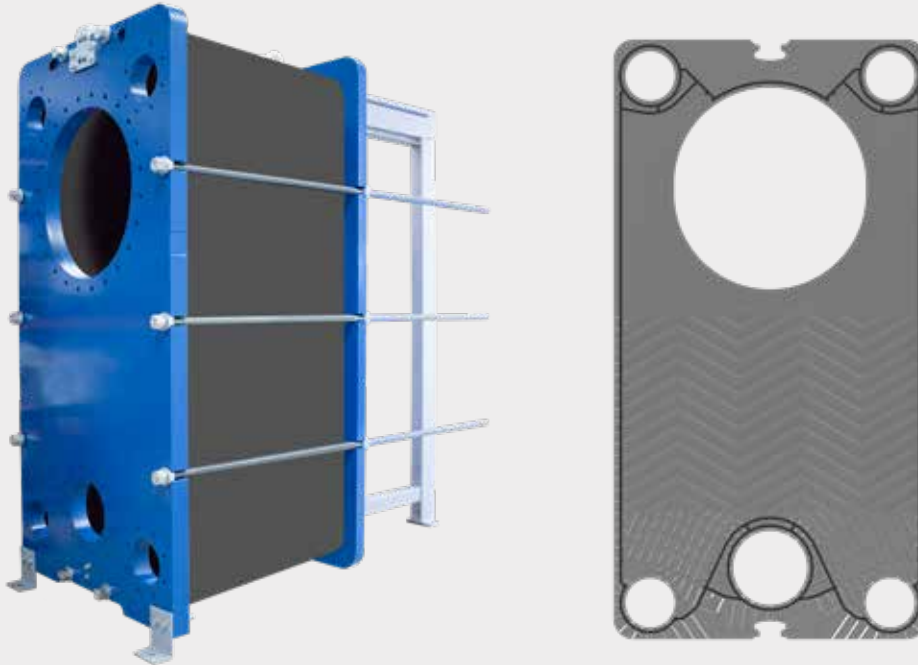


Condenser Heat Exchanger SFC800 Series

SFC801



The SonFlow Condenser/Evaporator is a versatile device specifically designed to effectively handle the condensation of low-pressure steam as well as perform evaporative tasks. The SFC801 model is particularly well-suited for tasks that involve a substantial temperature contrast between the cold and hot side.

Typical applications:

- Dairy/food/beverage industry
- Sugar industry
- Biogas industry
- Pulp and paper industry
- Mining industry
- Chemical industry
- Petrochemical industry
- Alcohol industry

Features:

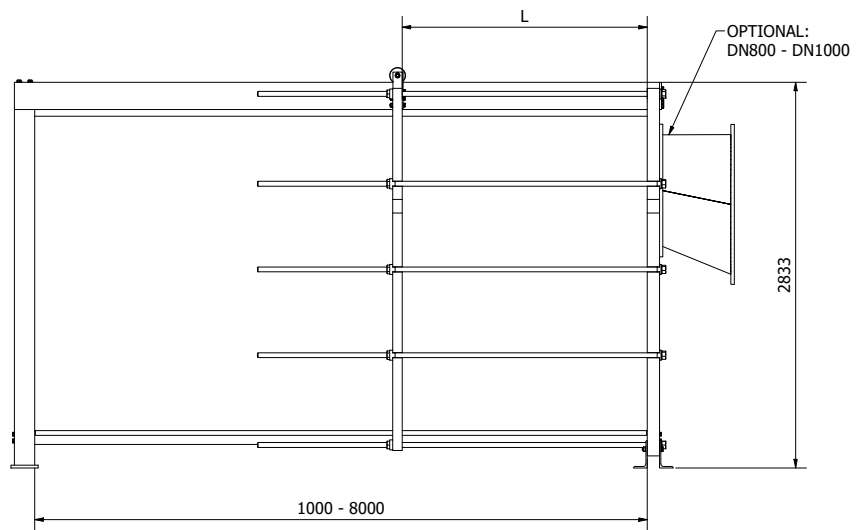
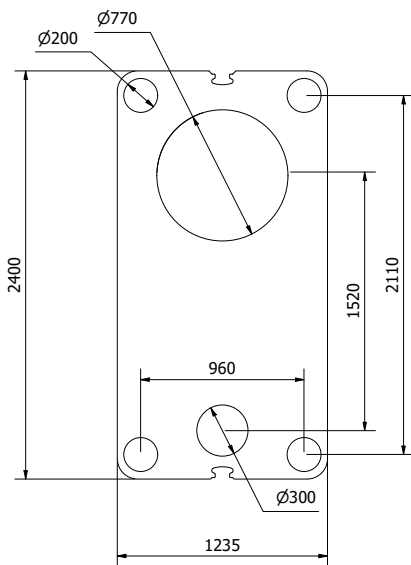
Every detail is carefully designed to ensure optimal performance, reduced maintenance costs and decreased downtime:

- Compact design
- High flexibility
- Lock gasket system

- Gentle product handling
- Design pressure up to 6 bar
- Operating temperature: up to 180° C
- Leak chamber
- Fixed bolt head
- Lifting lug
- Lining
- Lock washer

Benefits:

- Lower operating costs
- Cost-effective
- Easy assembly
- Increased energy efficiency
- Easy cleaning
- Dead spots, that cause corrosion and fouling are eliminated



Dimensions in mm

Design pressure:

- Painted frames: 0,6 MPa (87 PSI)

Construction standards:

- EN13445
- ASME sec VIII, Div. 1

Frame:

- Painted frame, RAL 5010 (available in other colours)

Connections:

- DN 800/32" flange in carbon steel, rubber lined or clad with AISI 316 or titanium
- According to all known standards

Plate material:

- AISI 304/316
- Other materials available on request

Gaskets:

- Click on gasket – a glue less system for sealing
- Materials: NBR, EPDM and Viton
- Other materials available on request

Accessories:

- Drip tray
- Insulation jackets
- Safety cover
- Assembling spanner
- Foundation feet