

# Wastewater Pumps

## DanPumps S-WP5 - 50 Hz

### Product Applications

The DanPumps S-WP5 pump is specially designed for wastewater applications and offers high hydraulic efficiencies from 75-200 kW. It is suitable for unscreened wastewater from sewage plants and industries.

### Design

The characteristics of our wastewater pumps are high quality, long lifetime and user friendly design. The DanPumps S-WP5 pump can be delivered as dry, wet or portable installation and with either a channel, vortex or B-tween impeller.

### Materials

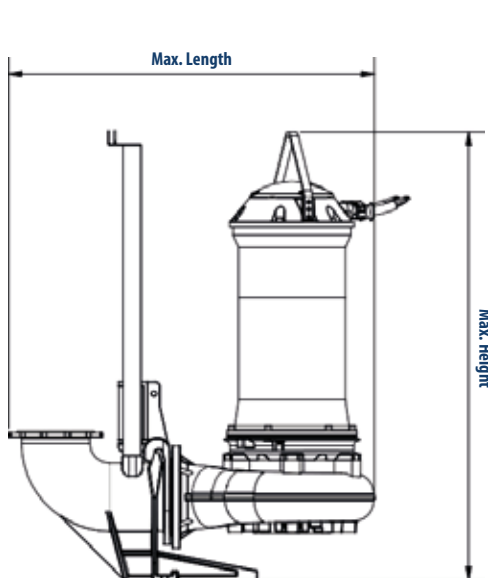
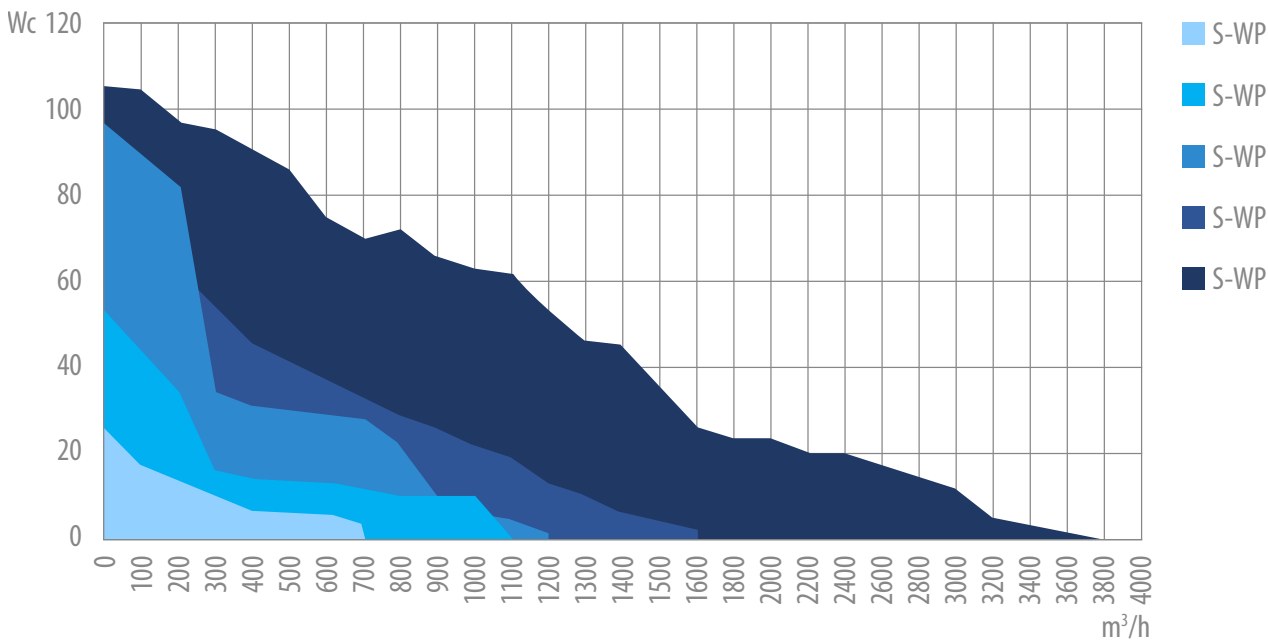
Pump Housing, base elbow, cartridge seal	Grey cast iron	GJL-250 (GG25)	A-48 Class35
Impeller (cast iron) adapter	Ductile cast iron	GJS-400-15 (GGG-40)	A536 GR 65-45
Option: Stainless steel impeller	Stainless cast steel	W.Nr.1.4401	AISI 316
Shaft	Stainless steel	W.Nr.1.4057	AISI 431
Seal sleeve, screws	Stainless steel	W.Nr.1.4301	AISI 304
Coolant	20% Propylene glycol	80% water	
O-rings	Nitrile	NBR	
Oil	Mobil DTE 24	Premium Hydraulic	
Mechanical seal	Media side: SIC/SIC	Cooling side: SIC/Carbon	
Motor	Siemens	IE3	Class F

### Operation standards:

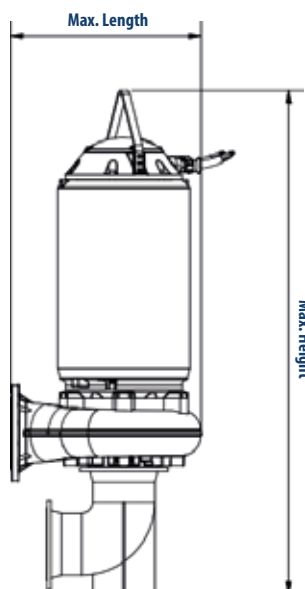
- Connections up to DN400
- Flow Rate up to 3500 m<sup>3</sup>/h
- Overheating and moisture protection
- Channel, vortex and B-tween impellers in the same volute
- Double mechanical cartridge seal
- High-efficient motors, class H as an option
- Long lifetime due to accurate balancing
- Customized solutions and a modular system
- All DanPumps S-WP pumps can be fitted with closed cooling jacket
- Easy maintenance
- Adjustable wear ring



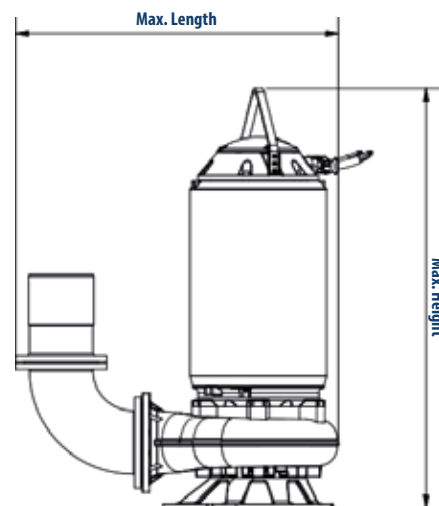
## Performance Curves - Complete DanPumps S-WP1 to DanPumps S-WP5 Range - 50 Hz



DanPumps S-WP5 - Wet Pit Installation



DanPumps S-WP5 - Dry Pit Installation



DanPumps S-WP5 - Portable Installation

Type	Installation	Max. Height	Max. Width	Max. Length
S-WP5-150	Wet Pit	1980 mm	760 mm	1456 mm
	Dry Pit	2227 mm	760 mm	862 mm
	Portable	1997 mm	760 mm	1037 mm
S-WP5-200	Wet Pit	1986 mm	760 mm	1524 mm
	Dry Pit	2356 mm	760 mm	884 mm
	Portable	2056 mm	760 mm	1314 mm
S-WP5-250	Wet Pit	2163 mm	828 mm	1765 mm
	Dry Pit	2492 mm	828 mm	977 mm
	Portable	2067 mm	828 mm	1527 mm
S-WP5-300	Wet Pit	2167 mm	814 mm	1772 mm
	Dry Pit	2597 mm	814 mm	985 mm
	Portable	2092 mm	814 mm	1612 mm
S-WP5-350	Wet Pit	2279 mm	977 mm	2166 mm
	Dry Pit	2723 mm	977 mm	1179 mm
	Portable	2280 mm	977 mm	1879 mm
S-WP5-400	Wet Pit	2302 mm	1094 mm	2334 mm
	Dry Pit	2872 mm	1094 mm	1347 mm
	Portable	2348 mm	1094 mm	2129 mm

## Pump data 50 Hz and 60 Hz

Type	50 Hz		60 Hz		Inlet in mm	Outlet flang
	kW P2	Rpm	kW P2	Rpm		
S-WP5-150-4	75	1475	86	1700	150	DN150
S-WP5-150-4	90	1475	104	1700	150	DN150
S-WP5-150-4	110	1475	127	1700	150	DN150
S-WP5-150-4	132	1475	152	1700	150	DN150
S-WP5-150-4	160	1475	184	1700	150	DN150
S-WP5-150-4	200	1475	230	1700	150	DN150
S-WP5-150-6	75	970	90	1170	150	DN150
S-WP5-150-6	90	970	108	1170	150	DN150
S-WP5-150-6	110	970	132	1170	150	DN150
S-WP5-150-6	132	970	158	1170	150	DN150
S-WP5-150-6	160	970	192	1170	150	DN150
S-WP5-150-8	75	750	90	870	150	DN150
S-WP5-150-8	90	750	108	870	150	DN150
S-WP5-150-8	110	750	132	870	150	DN150
S-WP5-150-8	132	750	158	870	150	DN150

Type	50 Hz		60 Hz		Inlet in mm	Outlet flang
	kW P2	Rpm	kW P2	Rpm		
S-WP5-200-4	75	1475	86	1700	200	DN200
S-WP5-200-4	90	1475	104	1700	200	DN200
S-WP5-200-4	110	1475	127	1700	200	DN200
S-WP5-200-4	132	1475	152	1700	200	DN200
S-WP5-200-4	160	1475	184	1700	200	DN200
S-WP5-200-4	200	1475	230	1700	200	DN200
S-WP5-200-6	75	970	90	1170	200	DN200
S-WP5-200-6	90	970	108	1170	200	DN200
S-WP5-200-6	110	970	132	1170	200	DN200
S-WP5-200-6	132	970	158	1170	200	DN200
S-WP5-200-6	160	970	192	1170	200	DN200
S-WP5-200-8	75	750	90	870	200	DN200
S-WP5-200-8	90	750	108	870	200	DN200
S-WP5-200-8	110	750	132	870	200	DN200
S-WP5-200-8	132	750	158	870	200	DN200

Type	50 Hz		60 Hz		Inlet in mm	Outlet flang
	kW P2	Rpm	kW P2	Rpm		
S-WP5-250-4	75	1475	86	1700	250	DN250
S-WP5-250-4	90	1475	104	1700	250	DN250
S-WP5-250-4	110	1475	127	1700	250	DN250
S-WP5-250-4	132	1475	152	1700	250	DN250
S-WP5-250-4	160	1475	184	1700	250	DN250
S-WP5-250-4	200	1475	230	1700	250	DN250
S-WP5-250-6	75	970	90	1170	250	DN250
S-WP5-250-6	90	970	108	1170	250	DN250
S-WP5-250-6	110	970	132	1170	250	DN250
S-WP5-250-6	132	970	158	1170	250	DN250
S-WP5-250-6	160	970	192	1170	250	DN250
S-WP5-250-8	75	750	90	870	250	DN250
S-WP5-250-8	90	750	108	870	250	DN250
S-WP5-250-8	110	750	132	870	250	DN250
S-WP5-250-8	132	750	158	870	250	DN250

Type	50 Hz		60 Hz		Inlet in mm	Outlet flang
	kW P2	Rpm	kW P2	Rpm		
S-WP5-300-4	75	1475	86	1700	300	DN300
S-WP5-300-4	90	1475	104	1700	300	DN300
S-WP5-300-4	110	1475	127	1700	300	DN300
S-WP5-300-4	132	1475	152	1700	300	DN300
S-WP5-300-4	160	1475	184	1700	300	DN300
S-WP5-300-4	200	1475	230	1700	300	DN300
S-WP5-300-6	75	970	90	1170	300	DN300
S-WP5-300-6	90	970	108	1170	300	DN300
S-WP5-300-6	110	970	132	1170	300	DN300
S-WP5-300-6	132	970	158	1170	300	DN300
S-WP5-300-6	160	970	192	1170	300	DN300
S-WP5-300-8	75	750	90	870	300	DN300
S-WP5-300-8	90	750	108	870	300	DN300
S-WP5-300-8	110	750	132	870	300	DN300
S-WP5-300-8	132	750	158	870	300	DN300

Type	50 Hz		60 Hz		Inlet in mm	Outlet flang
	kW P2	Rpm	kW P2	Rpm		
S-WP5-350-4	75	1475	86	1700	350	DN350
S-WP5-350-4	90	1475	104	1700	350	DN350
S-WP5-350-4	110	1475	127	1700	350	DN350
S-WP5-350-4	132	1475	152	1700	350	DN350
S-WP5-350-4	160	1475	184	1700	350	DN350
S-WP5-350-4	200	1475	230	1700	350	DN350
S-WP5-350-6	75	970	90	1170	350	DN350
S-WP5-350-6	90	970	108	1170	350	DN350
S-WP5-350-6	110	970	132	1170	350	DN350
S-WP5-350-6	132	970	158	1170	350	DN350
S-WP5-350-6	160	970	192	1170	350	DN350
S-WP5-350-8	75	750	90	870	350	DN350
S-WP5-350-8	90	750	108	870	350	DN350
S-WP5-350-8	110	750	132	870	350	DN350
S-WP5-350-8	132	750	158	870	350	DN350

Type	50 Hz		60 Hz		Inlet in mm	Outlet flang
	kW P2	Rpm	kW P2	Rpm		
S-WP5-400-4	75	1475	86	1700	400	DN400
S-WP5-400-4	90	1475	104	1700	400	DN400
S-WP5-400-4	110	1475	127	1700	400	DN400
S-WP5-400-4	132	1475	152	1700	400	DN400
S-WP5-400-4	160	1475	184	1700	400	DN400
S-WP5-400-4	200	1475	230	1700	400	DN400
S-WP5-400-6	75	970	90	1170	400	DN400
S-WP5-400-6	90	970	108	1170	400	DN400
S-WP5-400-6	110	970	132	1170	400	DN400
S-WP5-400-6	132	970	158	1170	400	DN400
S-WP5-400-6	160	970	192	1170	400	DN400
S-WP5-400-8	75	750	90	870	400	DN400
S-WP5-400-8	90	750	108	870	400	DN400
S-WP5-400-8	110	750	132	870	400	DN400
S-WP5-400-8	132	750	158	870	400	DN400