

Wastewater Pumps

DanPumps S-WP5 - 50 Hz

Product Applications

The DanPumps S-WP5 pump is specially designed for wastewater applications and offers high hydraulic efficiencies from 75-200 kW. It is suitable for unscreened wastewater from sewage plants and industries.

Design

The characteristics of our wastewater pumps are high quality, long lifetime, and user-friendly design. The DanPumps S-WP5 pump can be delivered as a dry, wet, or portable installation and with either a channel, vortex or B-tween impeller.

Materials

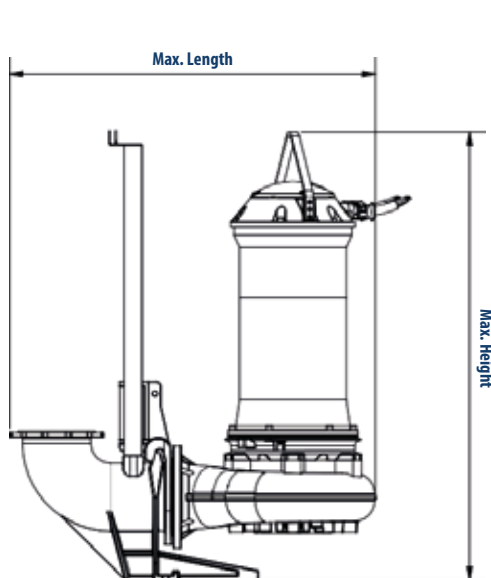
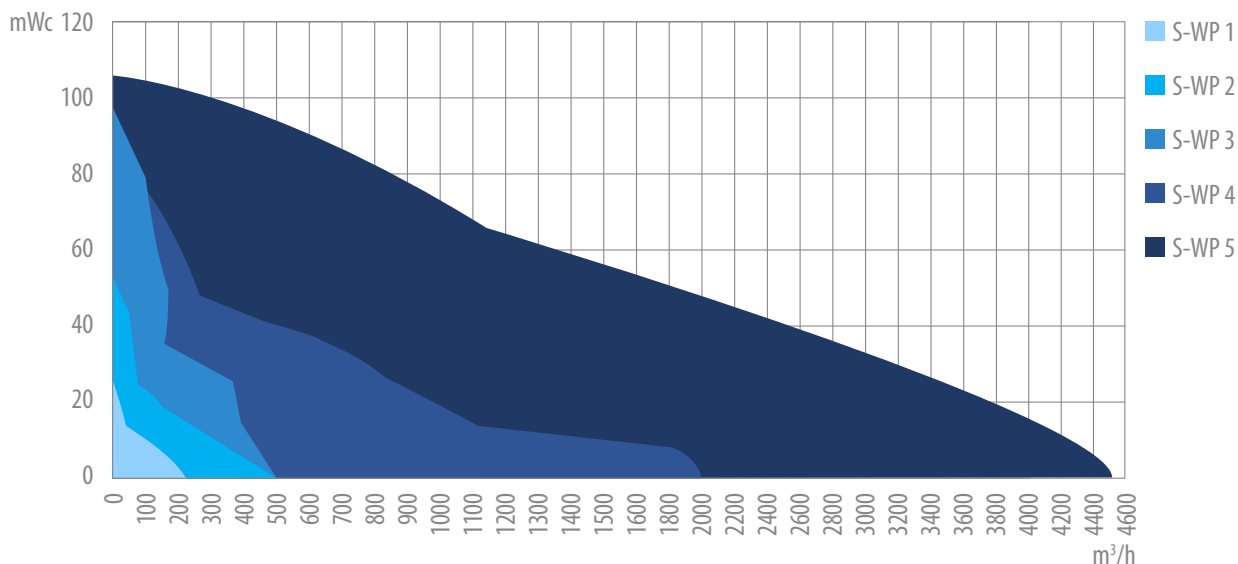
Pump Housing, base elbow, cartridge seal	Grey cast iron	GJL-250 (GG25)	A-48 Class35
Impeller (cast iron) adapter	Ductile cast iron	GJS-400-15 (GGG-40)	A536 GR 65-45
Option: Stainless steel impeller	Stainless cast steel	W.Nr.1.4401	AISI 316
Shaft	Stainless steel	W.Nr.1.4057	AISI 431
Seal sleeve, screws	Stainless steel	W.Nr.1.4301	AISI 304
Coolant	20% Propylene glycol	80% water	
O-rings	Nitrile	NBR	
Oil	Mobil DTE 24	Premium Hydraulic	
Mechanical seal	Media side: SIC/SIC	Cooling side: SIC/Carbon	
Motor	Siemens	IE3	Class F

Operation Standards:

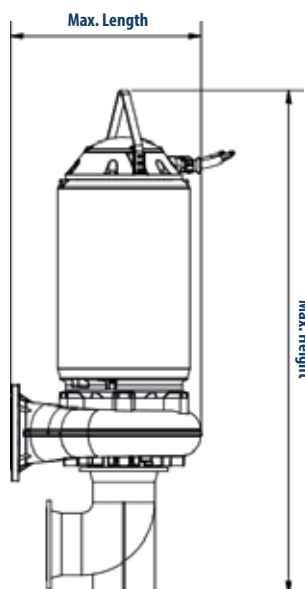
- Connections up to DN400.
- Flow Rate up to 3500 m³/h.
- Overheating and moisture protection.
- Channel, vortex and B-tween impellers in the same volute.
- Double mechanical cartridge seal.
- High-efficient motors, class H as an option.
- Long lifetime due to accurate balancing.
- Customized solutions and a modular system.
- All DanPumps S-WP pumps can be fitted with closed cooling jacket.
- Easy maintenance.
- Adjustable wear ring.



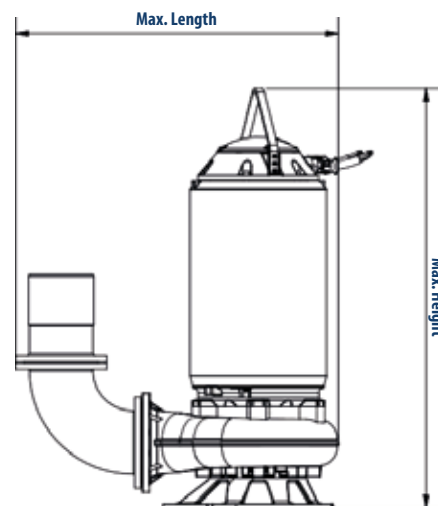
Performance Curves - Complete DanPumps S-WP1 to DanPumps S-WP5 Range - 50 Hz



DanPumps S-WP5 - Wet Pit Installation



DanPumps S-WP5 - Dry Pit Installation



DanPumps S-WP5 - Portable Installation

Type	Installation	Max. Height	Max. Width	Max. Length
S-WP5-150	Wet Pit	1980 mm	760 mm	1456 mm
	Dry Pit	2227 mm	760 mm	862 mm
	Portable	1997 mm	760 mm	1037 mm
S-WP5-200	Wet Pit	1986 mm	760 mm	1524 mm
	Dry Pit	2356 mm	760 mm	884 mm
	Portable	2056 mm	760 mm	1314 mm
S-WP5-250	Wet Pit	2163 mm	828 mm	1765 mm
	Dry Pit	2492 mm	828 mm	977 mm
	Portable	2067 mm	828 mm	1527 mm
S-WP5-300	Wet Pit	2167 mm	814 mm	1772 mm
	Dry Pit	2597 mm	814 mm	985 mm
	Portable	2092 mm	814 mm	1612 mm
S-WP5-350	Wet Pit	2279 mm	977 mm	2166 mm
	Dry Pit	2723 mm	977 mm	1179 mm
	Portable	2280 mm	977 mm	1879 mm
S-WP5-400	Wet Pit	2302 mm	1094 mm	2334 mm
	Dry Pit	2872 mm	1094 mm	1347 mm
	Portable	2348 mm	1094 mm	2129 mm

Pump data 50 Hz and 60 Hz

Type	50 Hz		60 Hz		Inlet in mm	Outlet flang
	kW P2	Rpm	kW P2	Rpm		
S-WP5-150-4	75	1475	86	1700	150	DN150
S-WP5-150-4	90	1475	104	1700	150	DN150
S-WP5-150-4	110	1475	127	1700	150	DN150
S-WP5-150-4	132	1475	152	1700	150	DN150
S-WP5-150-4	160	1475	184	1700	150	DN150
S-WP5-150-4	200	1475	230	1700	150	DN150
S-WP5-150-6	75	970	90	1170	150	DN150
S-WP5-150-6	90	970	108	1170	150	DN150
S-WP5-150-6	110	970	132	1170	150	DN150
S-WP5-150-6	132	970	158	1170	150	DN150
S-WP5-150-6	160	970	192	1170	150	DN150
S-WP5-150-8	75	750	90	870	150	DN150
S-WP5-150-8	90	750	108	870	150	DN150
S-WP5-150-8	110	750	132	870	150	DN150
S-WP5-150-8	132	750	158	870	150	DN150

Type	50 Hz		60 Hz		Inlet in mm	Outlet flang
	kW P2	Rpm	kW P2	Rpm		
S-WP5-200-4	75	1475	86	1700	200	DN200
S-WP5-200-4	90	1475	104	1700	200	DN200
S-WP5-200-4	110	1475	127	1700	200	DN200
S-WP5-200-4	132	1475	152	1700	200	DN200
S-WP5-200-4	160	1475	184	1700	200	DN200
S-WP5-200-4	200	1475	230	1700	200	DN200
S-WP5-200-6	75	970	90	1170	200	DN200
S-WP5-200-6	90	970	108	1170	200	DN200
S-WP5-200-6	110	970	132	1170	200	DN200
S-WP5-200-6	132	970	158	1170	200	DN200
S-WP5-200-6	160	970	192	1170	200	DN200
S-WP5-200-8	75	750	90	870	200	DN200
S-WP5-200-8	90	750	108	870	200	DN200
S-WP5-200-8	110	750	132	870	200	DN200
S-WP5-200-8	132	750	158	870	200	DN200

Type	50 Hz		60 Hz		Inlet in mm	Outlet flang
	kW P2	Rpm	kW P2	Rpm		
S-WP5-250-4	75	1475	86	1700	250	DN250
S-WP5-250-4	90	1475	104	1700	250	DN250
S-WP5-250-4	110	1475	127	1700	250	DN250
S-WP5-250-4	132	1475	152	1700	250	DN250
S-WP5-250-4	160	1475	184	1700	250	DN250
S-WP5-250-4	200	1475	230	1700	250	DN250
S-WP5-250-6	75	970	90	1170	250	DN250
S-WP5-250-6	90	970	108	1170	250	DN250
S-WP5-250-6	110	970	132	1170	250	DN250
S-WP5-250-6	132	970	158	1170	250	DN250
S-WP5-250-6	160	970	192	1170	250	DN250
S-WP5-250-8	75	750	90	870	250	DN250
S-WP5-250-8	90	750	108	870	250	DN250
S-WP5-250-8	110	750	132	870	250	DN250
S-WP5-250-8	132	750	158	870	250	DN250

Type	50 Hz		60 Hz		Inlet in mm	Outlet flang
	kW P2	Rpm	kW P2	Rpm		
S-WP5-300-4	75	1475	86	1700	300	DN300
S-WP5-300-4	90	1475	104	1700	300	DN300
S-WP5-300-4	110	1475	127	1700	300	DN300
S-WP5-300-4	132	1475	152	1700	300	DN300
S-WP5-300-4	160	1475	184	1700	300	DN300
S-WP5-300-4	200	1475	230	1700	300	DN300
S-WP5-300-6	75	970	90	1170	300	DN300
S-WP5-300-6	90	970	108	1170	300	DN300
S-WP5-300-6	110	970	132	1170	300	DN300
S-WP5-300-6	132	970	158	1170	300	DN300
S-WP5-300-6	160	970	192	1170	300	DN300
S-WP5-300-8	75	750	90	870	300	DN300
S-WP5-300-8	90	750	108	870	300	DN300
S-WP5-300-8	110	750	132	870	300	DN300
S-WP5-300-8	132	750	158	870	300	DN300

Type	50 Hz		60 Hz		Inlet in mm	Outlet flang
	kW P2	Rpm	kW P2	Rpm		
S-WP5-350-4	75	1475	86	1700	350	DN350
S-WP5-350-4	90	1475	104	1700	350	DN350
S-WP5-350-4	110	1475	127	1700	350	DN350
S-WP5-350-4	132	1475	152	1700	350	DN350
S-WP5-350-4	160	1475	184	1700	350	DN350
S-WP5-350-4	200	1475	230	1700	350	DN350
S-WP5-350-6	75	970	90	1170	350	DN350
S-WP5-350-6	90	970	108	1170	350	DN350
S-WP5-350-6	110	970	132	1170	350	DN350
S-WP5-350-6	132	970	158	1170	350	DN350
S-WP5-350-6	160	970	192	1170	350	DN350
S-WP5-350-8	75	750	90	870	350	DN350
S-WP5-350-8	90	750	108	870	350	DN350
S-WP5-350-8	110	750	132	870	350	DN350
S-WP5-350-8	132	750	158	870	350	DN350

Type	50 Hz		60 Hz		Inlet in mm	Outlet flang
	kW P2	Rpm	kW P2	Rpm		
S-WP5-400-4	75	1475	86	1700	400	DN400
S-WP5-400-4	90	1475	104	1700	400	DN400
S-WP5-400-4	110	1475	127	1700	400	DN400
S-WP5-400-4	132	1475	152	1700	400	DN400
S-WP5-400-4	160	1475	184	1700	400	DN400
S-WP5-400-4	200	1475	230	1700	400	DN400
S-WP5-400-6	75	970	90	1170	400	DN400
S-WP5-400-6	90	970	108	1170	400	DN400
S-WP5-400-6	110	970	132	1170	400	DN400
S-WP5-400-6	132	970	158	1170	400	DN400
S-WP5-400-6	160	970	192	1170	400	DN400
S-WP5-400-8	75	750	90	870	400	DN400
S-WP5-400-8	90	750	108	870	400	DN400
S-WP5-400-8	110	750	132	870	400	DN400
S-WP5-400-8	132	750	158	870	400	DN400