

Wastewater Pumps

DanPumps S-WP2 - 50 Hz

Product Applications

The DanPumps S-WP2 pump is designed for wastewater applications especially for water with a high content of solids or fibrous medias.

Design

The characteristics of our wastewater pumps are high quality, long lifetime and user friendly design. The DanPumps S-WP2 pump can be delivered as dry, wet or portable installation and with either a channel, a vortex or a B-tween impeller.

Materials

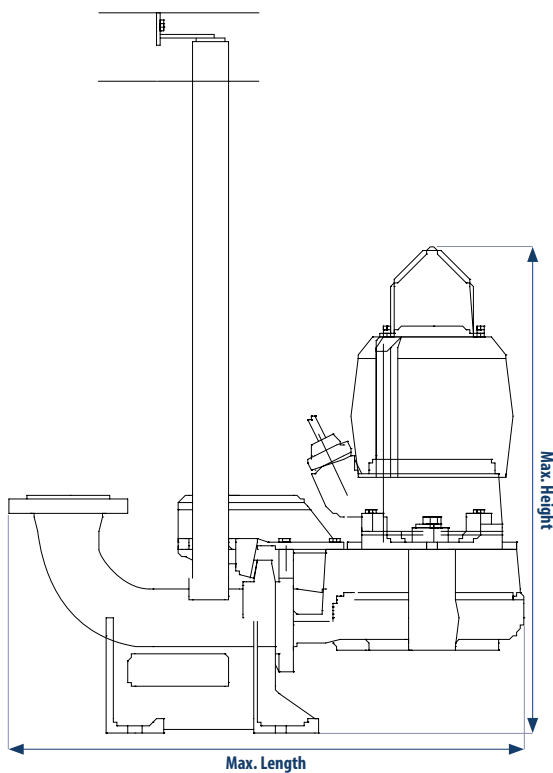
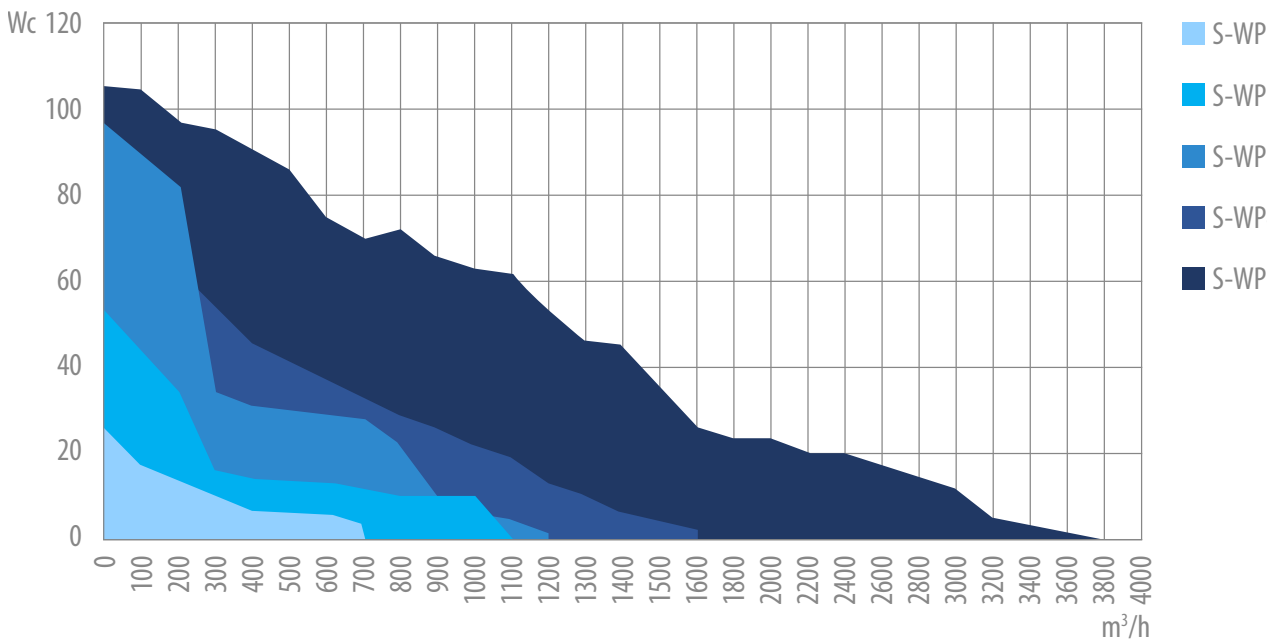
Pump Housing, base elbow, cartridge seal	Grey cast iron	GJL-250 (GG25)	A-48 Class35
Impeller (cast iron) adapter	Ductile cast iron	GJS-400-15 (GGG-40)	A536 GR 65-45
Option: Stainless steel impeller	Stainless cast steel	W.Nr.1.4401	AISI 316
Shaft	Stainless steel	W.Nr.1.4057	AISI 431
Seal sleeve, screws	Stainless steel	W.Nr.1.4301	AISI 304
Coolant	30% Propylene glycol	70% water	
O-rings	Nitrile	NBR	
Oil	Mobil DTE 24	Premium Hydraulic	
Mechanical seal	Media side: SIC/SIC	Cooling side: SIC/Carbon	
Motor	Siemens	IE3	Class F

Operation standards:

- Connections up to DN150
- Flow Rate up to 300 m³/h
- Overheating and moisture protection
- Channel, vortex and B-tween impellers in the same volute
- Double mechanical cartridge seal
- High-efficient motors
- Long lifetime due to accurate balancing
- Customized solutions and a modular system
- All DanPumps S-WP pumps can be fitted with closed cooling jacket
- Easy maintenance
- Adjustable wear ring

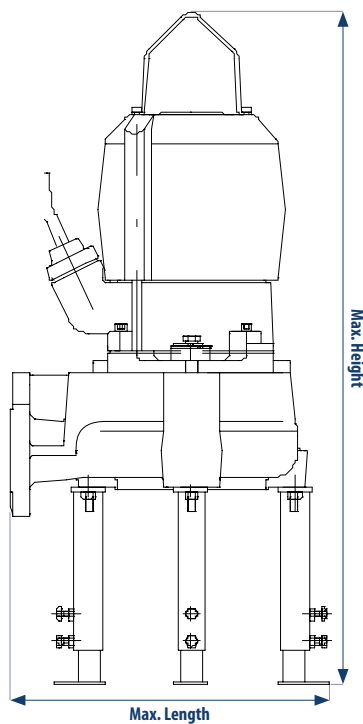


Performance Curves - Complete DanPumps S-WP1 to DanPumps S-WP5 Range - 50 Hz

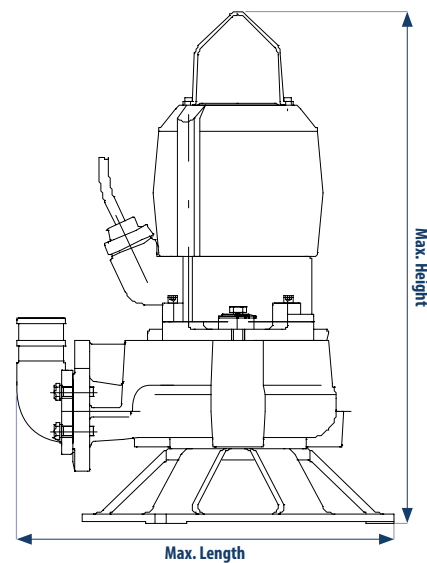


DanPumps S-WP2 - Wet Pit Installation

Please note cooling jacket is an optional choice.



DanPumps S-WP2 - Dry Pit Installation



DanPumps S-WP2 - Portable Installation

Type	kW P2	Rpm	Inlet in mm	Outlet flang
S-WP2-80-2	6.5	2900	70	DN80
S-WP2-80-2	9	2900	70	DN80
S-WP2-100-6	2.5	940	100	DN100
S-WP2-100-4	4	1440	100	DN100
S-WP2-100-4	6	1440	100	DN100
S-WP2-100-4	7	1440	100	DN100
S-WP2-150-6	2.5	940	100	DN150
S-WP2-150-4	4	1440	100	DN150
S-WP2-150-4	6	1440	100	DN150
S-WP2-150-4	7	1440	100	DN150

Type	Installation	Max. Height	Max. Width	Max. Length
S-WP2-80	Wet Pit	908 mm	342 mm	915 mm
	Dry Pit	1045 mm	342 mm	467 mm
	Portable	818 mm	515 mm	603 mm
S-WP2-100	Wet Pit	908 mm	389 mm	915 mm
	Dry Pit	1143 mm	460 mm	507 mm
	Portable	926 mm	500 mm	633 mm
S-WP2-150	Wet Pit	967 mm	442 mm	1062 mm
	Dry Pit	1171 mm	460 mm	586 mm
	Portable	945 mm	509 mm	752 mm