

Wastewater Pumps

DanPumps S-WP3 - 50 Hz

Product Applications

The DanPumps S-WP3 pump is specially designed for wastewater applications and offers high hydraulic efficiencies. It is suitable for unscreened wastewater from sewage plants and industries.

Design

The characteristics of our wastewater pumps are high quality, long lifetime, and user-friendly design. The DanPumps S-WP3 pump can be delivered as a dry, wet, or portable installation and with either a channel, vortex or B-tween impeller.

Materials

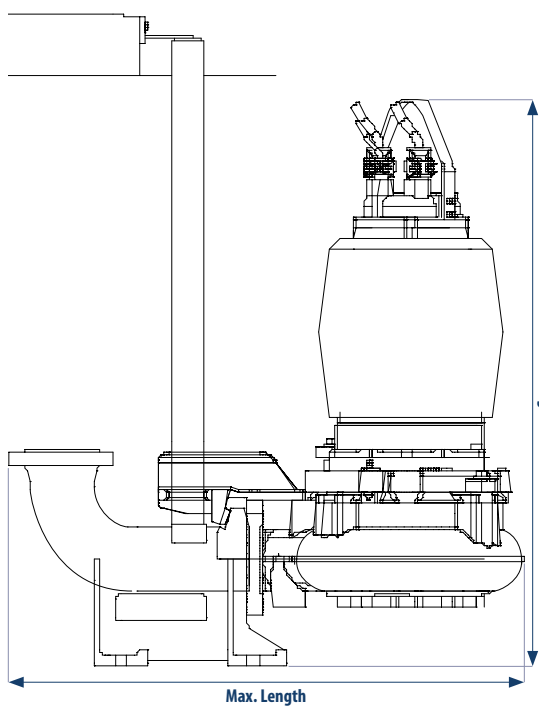
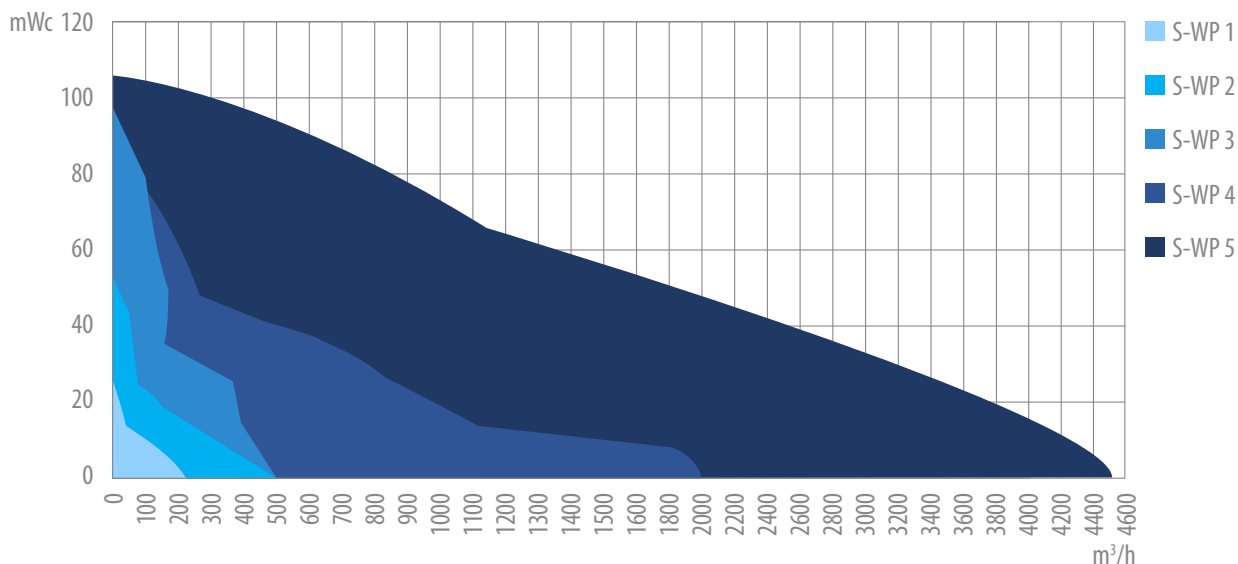
Pump Housing, base elbow, cartridge seal	Grey cast iron	GJL-250 (GG25)	A-48 Class35
Impeller (cast iron) adapter	Ductile cast iron	GJS-400-15 (GGG-40)	A536 GR 65-45
Option: Stainless steel impeller	Stainless cast steel	W.Nr.1.4401	AISI 316
Option: Stainless steel volute (DN150)	Stainless cast steel	W.Nr.1.4401	AISI 316
Shaft	Stainless steel	W.Nr.1.4057	AISI 431
Seal sleeve, screws	Stainless steel	W.Nr.1.4301	AISI 304
Coolant	30% Propylene glycol	70% water	
O-rings	Nitrile	NBR	
Oil	Mobil DTE 24	Premium Hydraulic	
Mechanical seal	Media side: SIC/SIC	Cooling side: SIC/Carbon	
Motor	Siemens	IE3	Class F

Operation Standards:

- Connections up to DN150.
- Flow rate up to 450 m³/h.
- Overheating and moisture protection.
- Channel, vortex and B-tween impellers in the same volute.
- Double mechanical cartridge seal.
- High-efficient motors.
- Long lifetime due to accurate balancing.
- Customized solutions and a modular system.
- All DanPumps S-WP pumps can be fitted with closed cooling jacket.
- Easy maintenance.
- Adjustable wear ring.

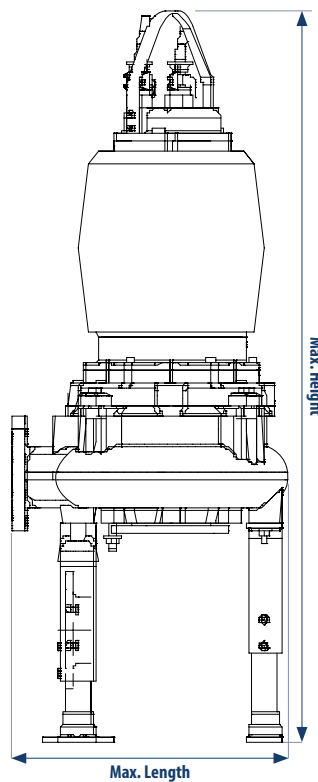


Performance Curves - Complete DanPumps S-WP1 to DanPumps S-WP5 Range - 50 Hz

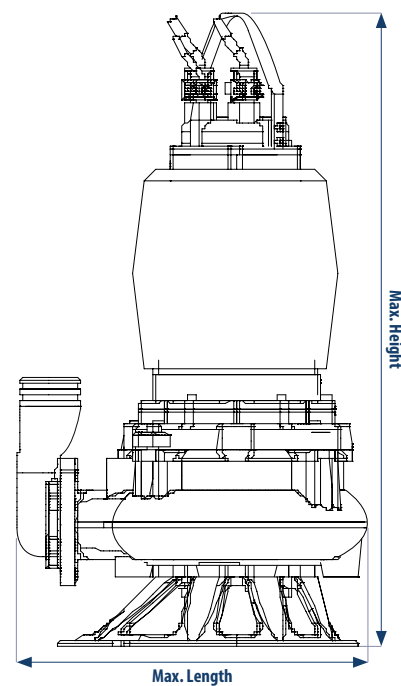


DanPumps S-WP3 - Installation Wet Pit

Please note cooling jacket is an optional choice.



DanPumps S-WP3 - Installation Dry Pit



DanPumps S-WP3 - Installation Portable

Type	kW P2	Rpm	Inlet in mm	Outlet flang
S-WP3-80-2	8	2930	70	DN100
S-WP3-80-2	12.5	2940	70	DN100
S-WP3-80-2	21	2940	70	DN100
S-WP3-100-4	7.5	1455	100	DN100
S-WP3-100-4	9	1455	100	DN100
S-WP3-100-4	12.5	1460	100	DN100
S-WP3-100-4	17	1460	100	DN100
S-WP3-100-4	22	1455	100	DN100

Type	kW P2	Rpm	Inlet in mm	Outlet flang
S-WP3-150-6	6.6	950	100	DN150
S-WP3-150-6	13.5	960	100	DN150
S-WP3-150-4	7.5	1455	100	DN150
S-WP3-150-4	9	1455	100	DN150
S-WP3-150-4	12.5	1460	100	DN150
S-WP3-150-4	17	1460	100	DN150
S-WP3-150-4	22	1455	100	DN150

Type	Installation	Max. Height	Max. Width	Max. Length
S-WP3-80	Wet Pit	990 mm	388 mm	956 mm
	Dry Pit	1333 mm	388 mm	494 mm
	Portable	1039 mm	452 mm	593 mm
S-WP3-100	Wet Pit	1087 mm	439 mm	983 mm
	Dry Pit	1409 mm	439 mm	519 mm
	Portable	1076 mm	460 mm	590 mm
S-WP3-150	Wet Pit	834 mm	490 mm	1118 mm
	Dry Pit	1433 mm	490 mm	577 mm
	Portable	1103 mm	492 mm	741 mm