

## ► Drainage Pumps

### DanPumps S-DP - 50 Hz

#### Product Applications

The DanPumps S-DP is a high-efficient lightweight drainage pump built in aluminium, and suitable for pumping water and dirty water mixed with soil. The DanPumps S-DP is the ideal choice for plug-in operations and is ready for use when delivered on site.

#### Design

The low weight and compact design ensure convenient transport, handling and installation.

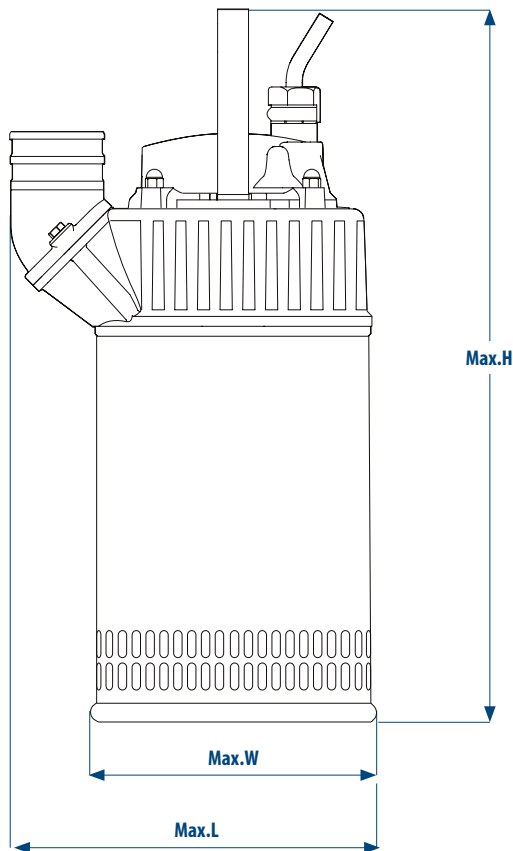
#### Operation standards

- Max. submergence: 15 meter
- Max. temperature of pumped media at maximum power input and continuous duty: 40°C
- Max. medium density: 1100 kg/m<sup>3</sup>
- pH of the pumped medium: 5-8
- Any risk of overheating is avoided since the pumped media continuously cools the pump
- Motor protection: Build-in thermal switches in the stator windings (140°C, ±5) connected to build-in contactor

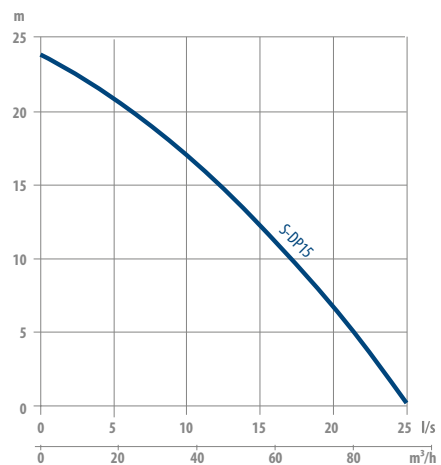
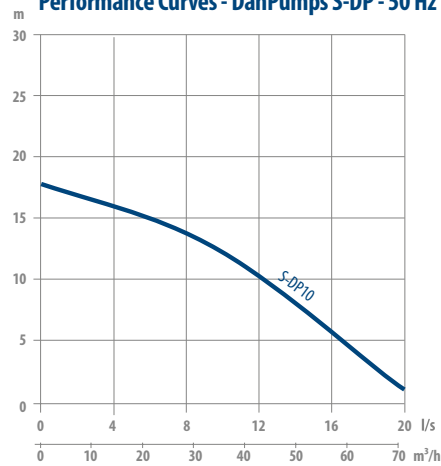


## Materials

Castings	Aluminium		
Impeller	Stainless steel		
Casing, handle, fasteners	Stainless steel	10088: X5CrNi18-10 (W.Nr. 1.4301)	AISI 304
Shaft	Stainless steel	X20Cr13 (W.Nr. 1.4021)	AISI 420
O-rings	NBR		
Double Mechanical seal	In oil bath		
Shaft seal	Primary seal: SIC/SIC Secondary seal: Stainless steel / Carbon		
Bearings	Upper bearing: Single-row deep groove ball bearing Lower bearing: Double angular contact ball bearing		
Cable	20 m	H07RN-F	



Performance Curves - DanPumps S-DP - 50 Hz



Type - 50 Hz	kW P2	Rpm	Outlet flange	Dimensions in mm			Voltage (V)	Current (A)	Weight without cable (kg)
				Max. H	Max. W	Max. L			
S-DP10	2,3	2870	3" Hose Connection*	570	230	295	3 x 230/400	8,4/4,8	30
S-DP15	3,9	2870	3" Hose Connection*	570	230	295	3 x 230/400	14,1/8,1	32

\* Optional discharge connections: 2½", 4" connections and 2½", 3", 4" B.S.P. threaded connections.