



## Industrial / Marine Pumps

S-IP & S-MP Pumps for safe operations and easy maintenance





DanPumps S-IP MP

### Product Applications

Danpumps offers a wide range of pumps for any application within the marine, industrial and chemical industries.

### Design

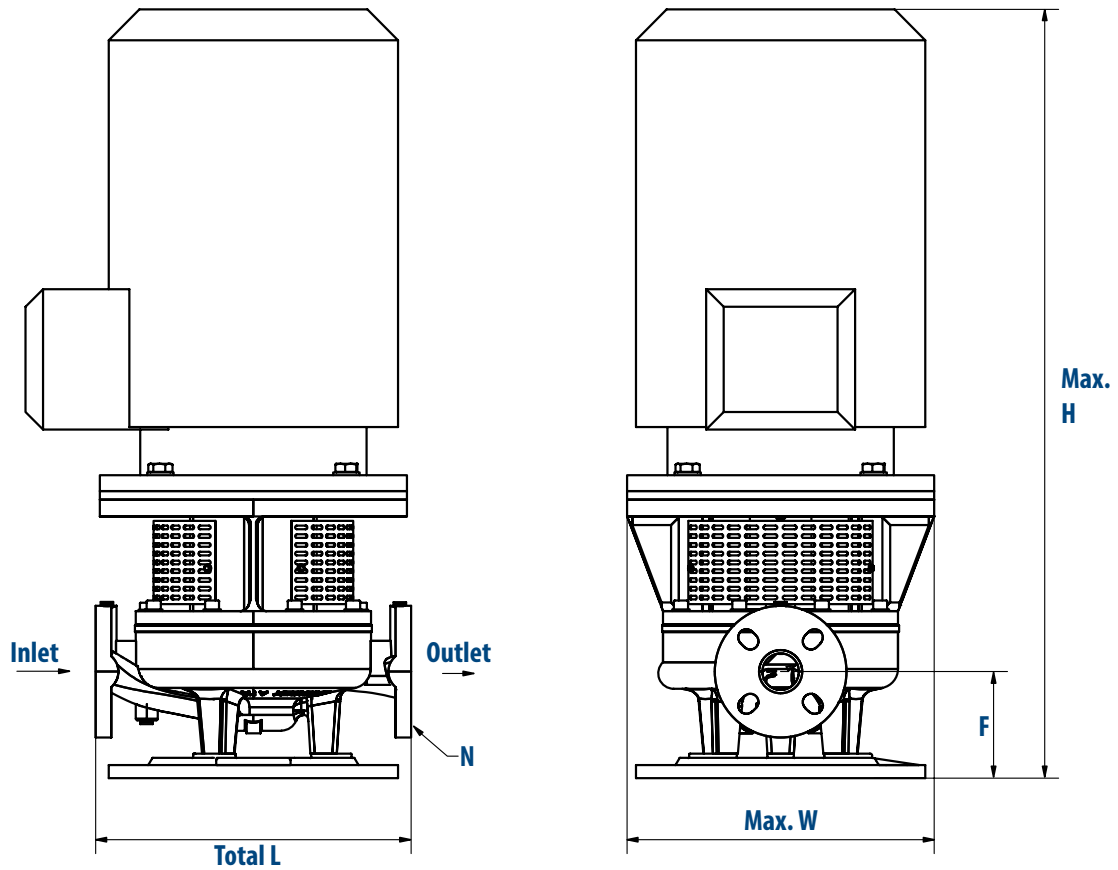
The pump is based on a unique hydraulic design combining maximum efficiency with the highest standards. The pump is based on design according to ISO 2858.

### Materials

	S-MP	S-IP
Pump house :	Bronze / RG10	Cast Iron
Back plate :	Bronze / RG10	Cast Iron
Impeller :	Ni.AI.Bronze	Ni.AI.Bronze
Wear rings :	Ni.AI.Bronze	Ni.AI.Bronze
Shaft :	AISI 329	AISI 329

### Operation Standards

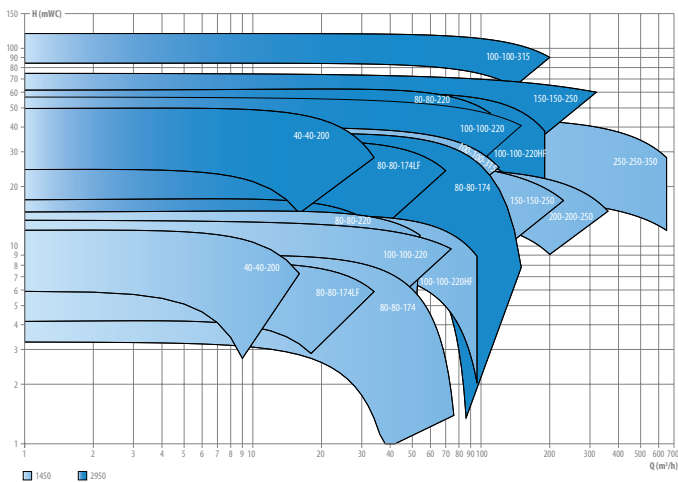
- High efficiency:  
The volute and the impeller design ensures high efficiency
- Accurate balancing ensures a very low noise level
- Flexible design:  
Designed for easy maintenance  
Long lifetime  
Cost optimal
- Connections:  
Flanges according to EN1092-1
- Colour:  
Standard colour, Blue RAL 5010. Available in other colours



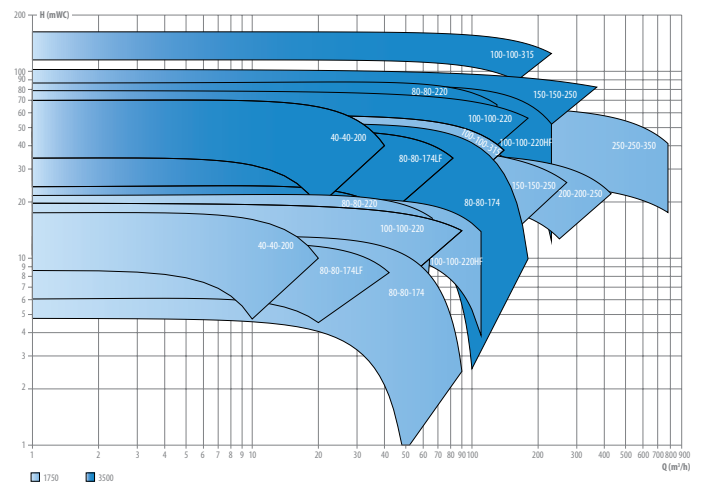
Model	F	Max. H	Max. W	Total L	N (EN1092-1)
S-MP/S-IP 40-40-200	122	821	350	360	DN32 + DN40, PN10
S-MP/S-IP 80-80-174	140	965	350	400	DN65/-80/-100, PN10
S-MP/S-IP 80-80-220	141	1004	350	450	DN65/-80/-100, PN10
S-MP/S-IP 100-100-220	175	1058	443	500	DN100, PN10
S-MP/S-IP 100-100-315	157	1139	520	630	DN100, PN10

All dimensions are in mm.

Performance Curves - Complete S-MP/S-IP Range - 50 Hz



Performance Curves - Complete S-MP/S-IP Range - 60 Hz





DanPumps S-IP MP-2L

### Product Applications

Danpumps offers a wide range of pumps for any application within the marine sector as well as industrial and chemical processing plants.

### Design

The pump is based on a unique hydraulic design, combining maximum efficiency with the highest standards. The pump is based on the design according to ISO 2858.

### Materials

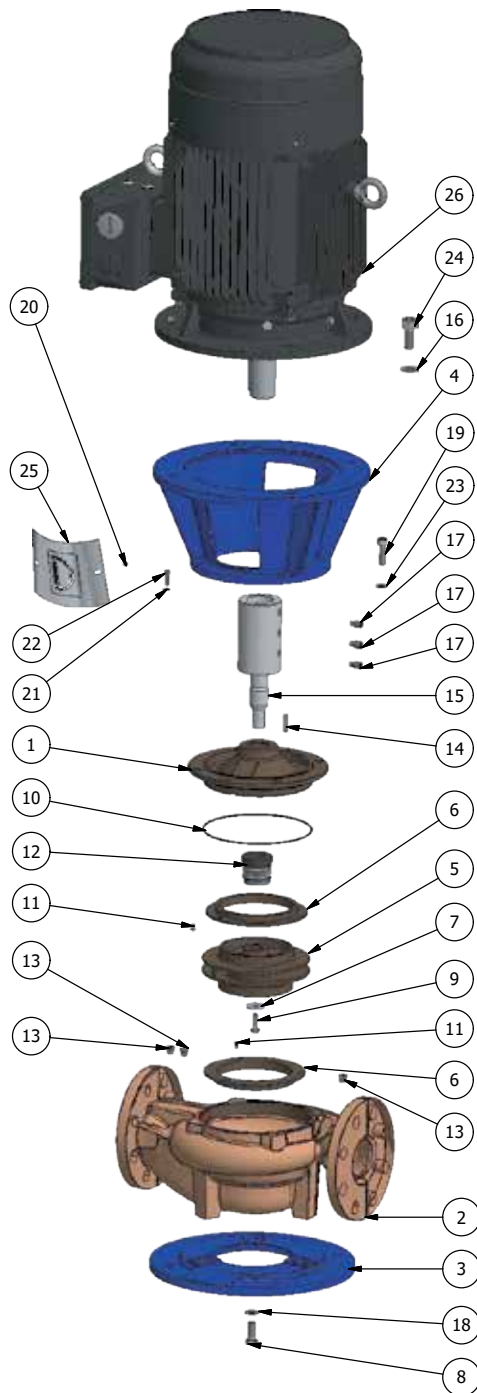
	S-MP	S-IP
Pump house :	Bronze / RG10	Cast Iron
Back plate :	Bronze / RG10	Cast Iron
Impeller :	Ni.AI.Bronze	Ni.AI.Bronze
Wear rings :	Ni.AI.Bronze	Ni.AI.Bronze
Shaft :	AISI 329	AISI 329

### Operation Standards

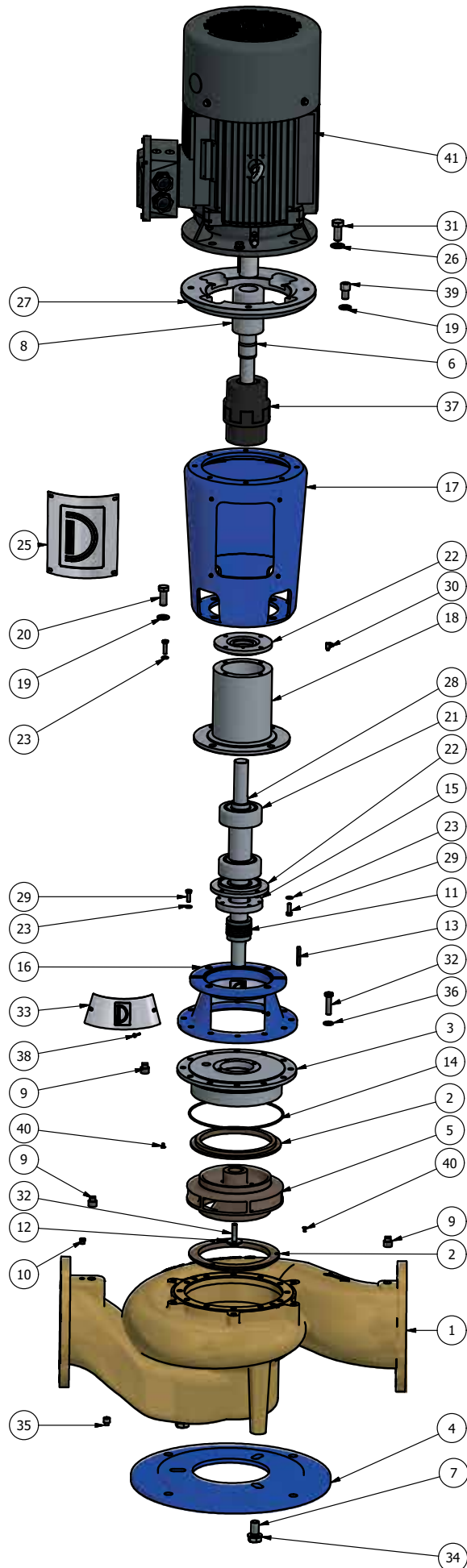
- Sturdy design for demanding duties
- Inline pump, easy to remove from rotatory parts- top pull-off principle
- Designed with double bearings between the motor and impeller
- High efficiency:  
The volute and the impeller design ensures high efficiency
- Low noise level
- Flexible design:  
Designed for easy maintenance  
Long lifetime  
Cost optimal
- Connections:  
Flanges according to EN1092-1
- Colour:  
Standard colour, Blue RAL 5010. Available in other colours



# Example: 80-80-174 Pump



# Example: 250-250-350 Pump





## About DanPumps A/S

DanPumps A/S was founded in 2013 and was exclusively engaged in the sale of pumps for utilities and industry in Denmark.

Following the merger between Sondex Pumps A/S and DanPumps A/S in 2017, the aim has been to specialize in the development and manufacturing of High quality pumps.

The complete pump program from DanPumps A/S is constantly evolving and the ability to supply the market with customized solutions make DanPumps A/S one of the most flexible and competitive supplier.



### Submersible and dry-installed sewage pumps

We offer you a solution for all installations, wet without the unique cooling jacket or dry with the cooling jacket, also a portable solution with the cooling jacket.

As an option, all DanPump wastewater pumps for dry installation can be delivered with IEC standard motors, type S-WP.

### High-efficiency engines with unique protection against heat and moisture

The engines are classified according to IE3. All S-WP motors have Class F insulation (class H is an option), 3 thermal circuit breakers, and moisture sensors that warn against moisture lubrication or before it causes damage to the motor.

### DanPumps wastewater program with long durability

The S-WP range is a combination of high efficiency, intelligent design and practical features providing a user-friendly pump with long durability. The S-WP range of wastewater pumps, covers almost every demand for pumps within the wastewater market. This we can do by choosing the right pump with the right impeller, that is optimal for the task – with other words we customize the right solution.

When choosing a wastewater pump from DanPumps, you are sure to get the right and well proven solution for the task.



**DanPumps A/S**  
Nordager 25  
DK-6000 Kolding  
Denmark

Tel.: +45 86 57 13 44  
info@sonflow.dk  
www.sonflow.dk