

# Industrial / Marine Pumps

## DanPumps S-IP & S-MP-2L

### Product Applications

DanPumps offers a wide range of pumps for any application within the marine sector as well as industrial and chemical processing plants.

### Design

The pump is based on a unique hydraulic design, combining maximum efficiency with the highest standards. The pump is based on the design according to ISO 2858.

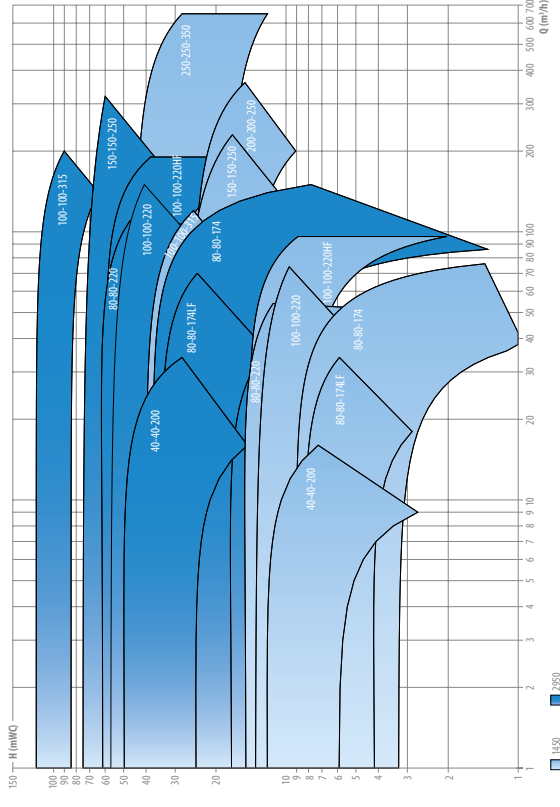
Materials	S-MP	S-IP
Pump house	Bronze/RG10	Cast iron
Back plate	Bronze/RG10	Cast iron
Impeller	Ni.Al.Bronze	Ni.Al.Bronze
Wear rings	Ni.Al.Bronze	Ni.Al.Bronze
Shaft	AISI 329	AISI 329

### Operation standards:

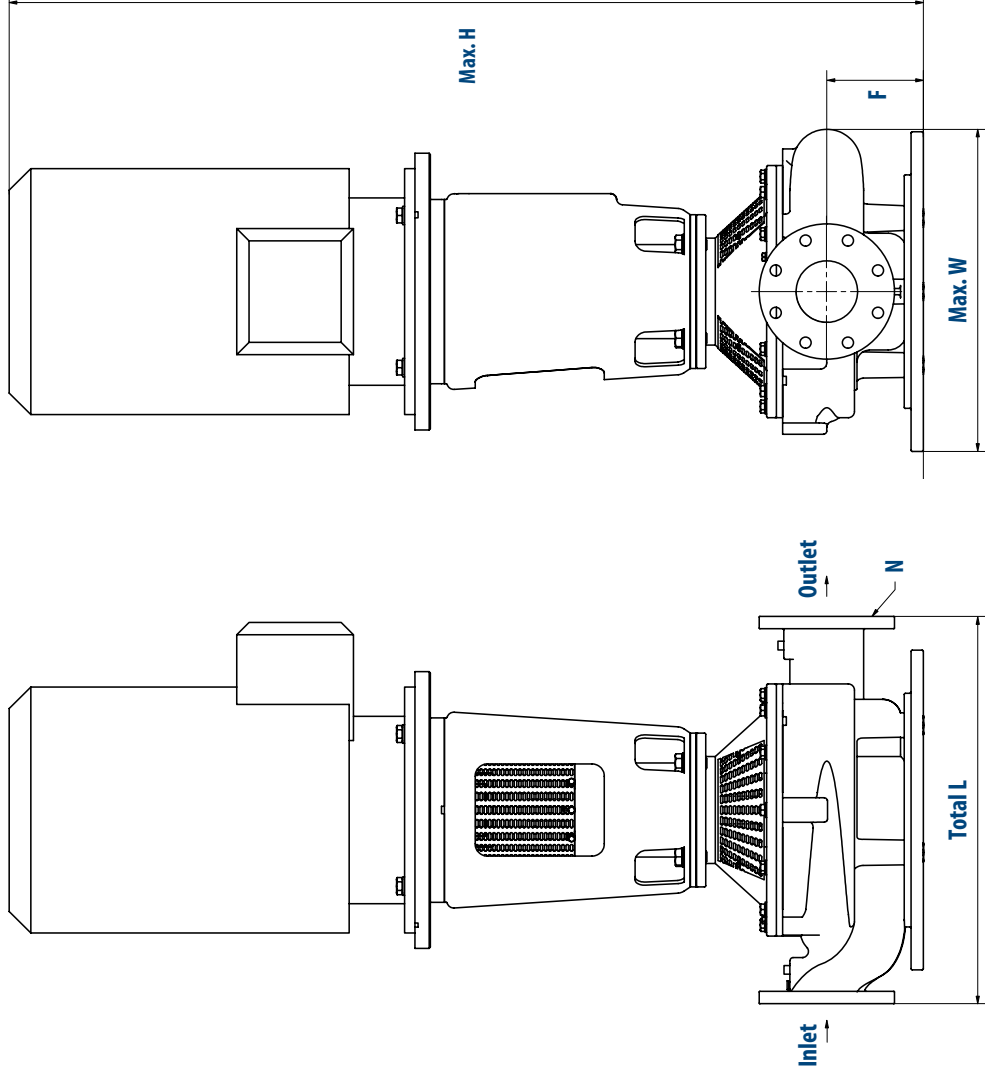
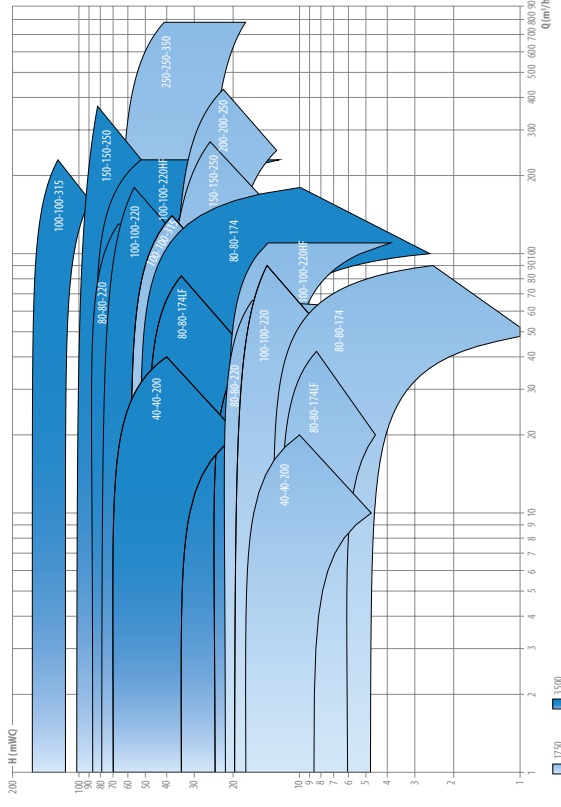
- Sturdy design for demanding duties
- Inline pump, easy to remove from rotatory parts  
- top pull-off principle
- Designed with double bearings between the motor and impeller
- The volute and the impeller design ensures high efficiency
- Low noise level
- Flexible design
- Designed for easy maintenance
- Long lifetime
- Cost optimal
- Connections flanges according to EN1092-1
- Standard colour, Blue RAL 5010. Available in other colours



## Performance Curves - Complete DanPumps S-MP/S-IP - 50 Hz



## Performance Curves - Complete DanPumps S-MP/S-IP - 60 Hz



Type	F	Max. Height	Max. Width	Total Length	E (EN1092-1)
S-MP/S-IP 100-100-315-2L	122 mm	821 mm	350 mm	360 mm	DN32 + Dn40, PN10/PN16
S-MP/S-IP 150-150-250-2L	140 mm	965 mm	350 mm	400 mm	DN65/80/-100, PN10/PN16
S-MP/S-IP 200-200-250-2L	141 mm	1004 mm	350 mm	450 mm	DN65/80/-100, PN10/PN16
S-MP/S-IP 250-250-350-2L	175 mm	1058 mm	443 mm	500 mm	DN100, PN10/PN16