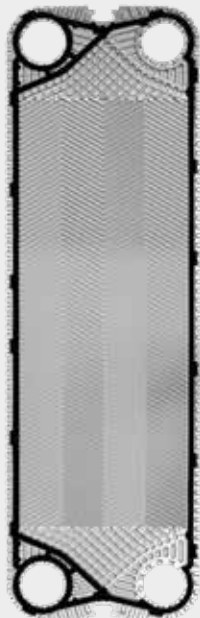


Plate Heat Exchanger SF80 Series

SF81



SonFlow offers a wide range of Plate Heat Exchangers and is the ideal choice suitable for a wide variety of applications across numerous markets segments.

SonFlow Plate Heat Exchanger SF80 series cover many duties in a single pass solution, especially for food applications. The design of portholes and plate pattern provides gentle treatment of sensitive food products.

Typical applications:

- Food
- HVAC
- Industrial and chemical market
- Heat recovery

- Operating temperature: up to 180° C
- Leak chamber
- Fixed bolt head
- Lifting lug
- Lining
- Lock washer

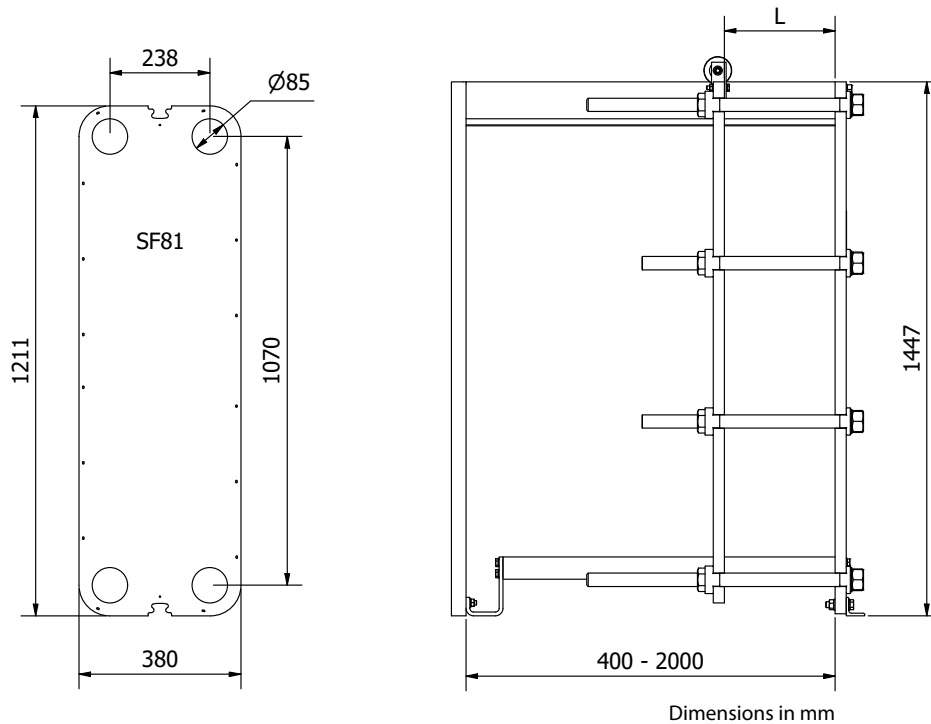
Features:

Every detail is carefully designed to ensure optimal performance, reduced maintenance costs and decreased downtime:

- Compact design
- High flexibility
- Lock gasket system
- Gentle product handling
- Design pressure up to 25 bar

Benefits:

- Lower operating costs
- Cost-effective
- Easy assembly
- Increased energy efficiency
- Easy cleaning
- Dead spots causing corrosion and fouling are eliminated



Design pressure:

- Painted frames: 1.0/1.6 MPa (145/232 PSI)
- Stainless steel frame: 1.0/1.6 MPa (145/232 PSI)

Construction standards:

- EN13445 (PED 2014/68/EU)
- ASME sec VIII, Div. 1

Frame:

- Painted frame, RAL 5010 (available in other colours)
- Stainless steel

Connections:

- DN 80/3" dairy pipes or unions
- According to all known standards

Plate material:

- AISI 304/316 and titanium
- Other materials available on request

Gaskets:

- Click on gasket – a glue less system for sealing
- Materials: NBR, EPDM and Viton
- Other materials available on request

Accessories:

- Drip tray
- Insulation jackets
- Safety cover
- Assembling spanner
- Foundation feet